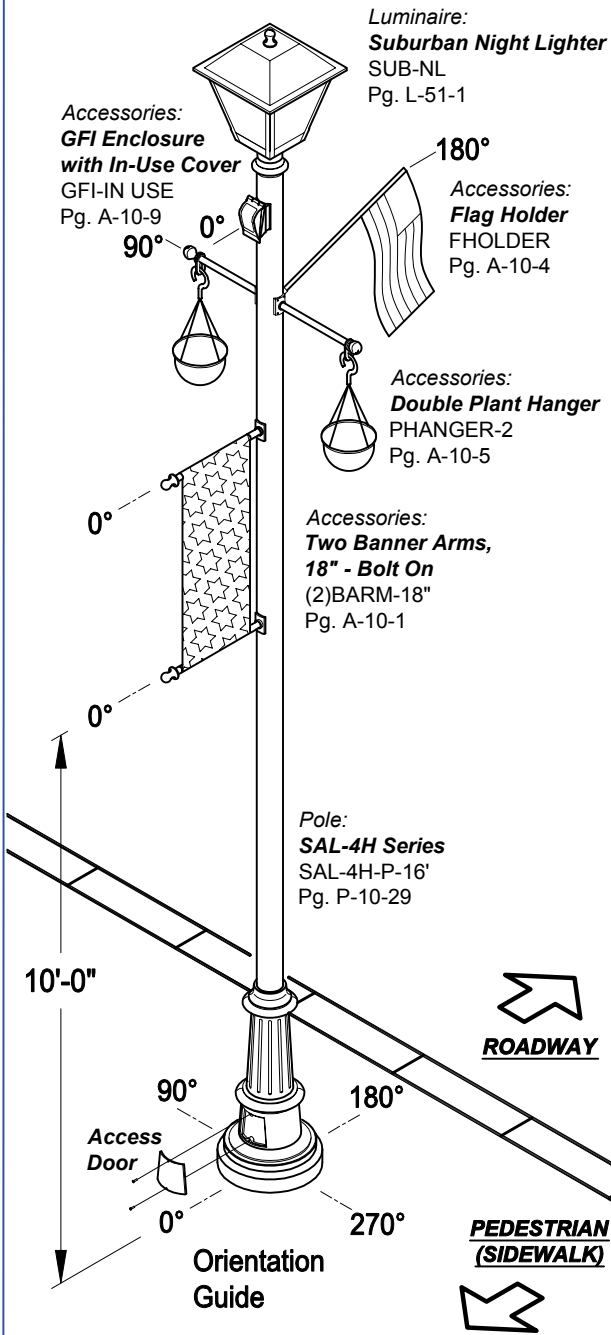


Ordering Guide

Guides

Typical Luminaire and Pole Arrangement With Accessories



Specifying Accessories

Model	Description	Height	Orientation Access Door
GFI-IN USE	GFI Enclosure with In-Use Cover	15'-6"	0°
FHOLDER	Flag Holder	15'-0"	180°
PHANGER-2	Double Plant Hanger	15'-0"	90°
BARM-18"	Banner Arm, 18" - Bolt On	13'-0"	0°
BARM-18"	Banner Arm, 18" - Bolt On	10'-0"	0°

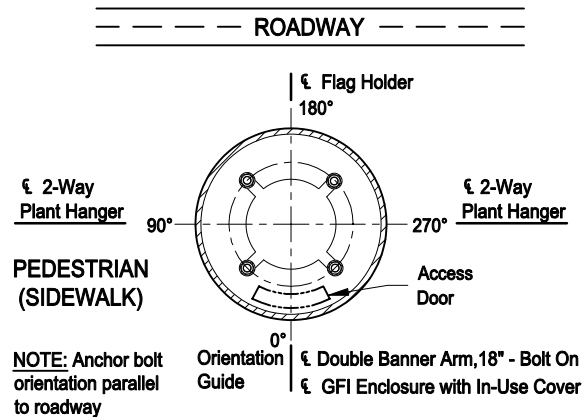
Ordering Information

The boldface catalog references to order the typical Luminaire and Pole Arrangement with Accessories are shown below:

Luminaire: SUB-NL - 50MH - MED - V - CLR - 120V - BK

Pole: SAL-4H - P -16' - BK - GFI-IN USE - FHOLDER - PHANGER-2 - (2)BARM-18"

Orientation Information



Sentry
ELECTRIC

Ordering Guide

Sentry Electric LLC
185 Buffalo Avenue, Freeport, New York, 11520
Telephone: 516.379.4660 Fax: 516.378.0624
www.sentrylighting.com info@sentrylighting.com