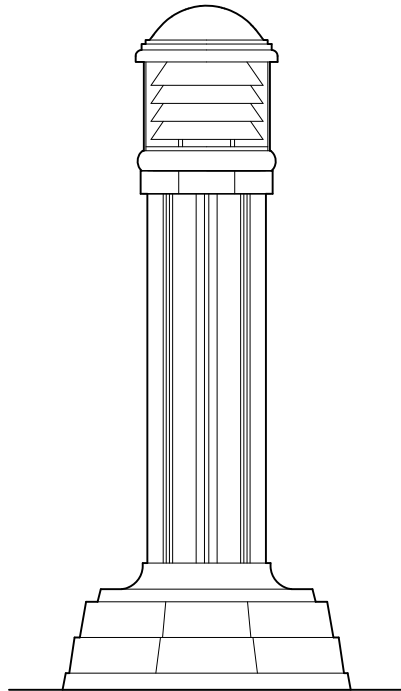


SAL-F-BOL

Bollards (BOL) - Cast Aluminum (SAL)

Bollard Height 43"
Octagonal Base 18"



SAL-F-BOL

SCALE: 1" = 1'-0"

Product Features

Construction

The bollard shall be made from cast ASTM 356.1 and extruded ASTM 6063 aluminum construction. Two (2) access doors in the base (3 1/2" x 5" minimum opening) shall be secured with stainless steel hardware. Top shall be easily removable for relamping.

Optical

Available in a range of lamp choices and wattage ratings including High Intensity Discharge (HID) and Incandescent. Optical Louver System produces a symmetrical (Type V) light distribution. Polycarbonate lens.

Electrical

Meets UL 1598 for Safety. Luminaire shall have porcelain socket rated for 600V with 4kV pulse and uses a nickel-plated screw shell with spring-loaded center contact and lamp grips. Luminaires shall be prewired and factory tested. The ballast shall be a high power factor, constant wattage autotransformer type. The power factor shall be at least 90%.

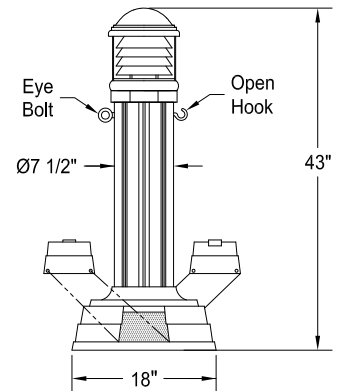
Installation

The bollard shall be provided with (4) Ø3/4" x 24" long "L-Type" anchor bolts. Each anchor bolt shall be supplied assembled with (2) nuts, (2) flat washers and (1) split lock washer. The bollard shall have a Ø12" bolt circle and requires a 3" anchor bolt projection. All anchorage hardware shall be fully galvanized.

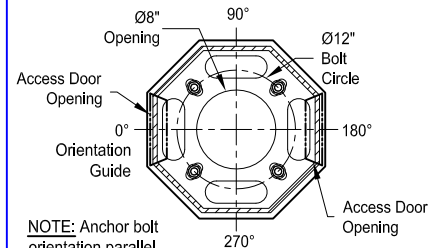
Finish

The bollard shall be finished with a high performance coating consisting of high gloss Super Durable polyester powder coat paint to be applied utilizing a multistage process. Paint shall be weather, corrosion, abrasion, and UV resistant in compliance with AAMA 2604-05. Color to be specified.

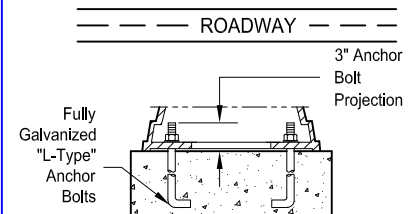
Detail



Installation Details



NOTE: Anchor bolt orientation parallel to roadway



Ordering Information

Choose the **boldface** catalog references that best suit your needs.

Example:

Model Wattage/Lamp Voltage Options Finish
SAL-F-BOL - 70MH - 120V - EB - BK

Model	Wattage/ Lamp	Voltage	Accessories
SAL-F-BOL	INC Incandescent	Single Line	EB Eyebolt
	35HPS 35 watt High Pressure Sodium	120V	HK Open Hook
	50HPS 50 watt High Pressure Sodium	480V	see Orientation Guide
	70HPS 70 watt High Pressure Sodium	Multi-Tap	Finish
	100HPS 100 watt High Pressure Sodium	120V-MT	BK Black (Standard)
	50MH 50 watt Metal Halide	208V-MT	BZ Bronze
	70MH 70 watt Metal Halide	240V-MT	FG Federal Green
100MH 100 watt Metal Halide	277V-MT	Consult factory for custom finish.	
* Only available in Medium Socket.			
Consult factory for LED configurations and other lamping options.			



SAL-F-BOL

Sentry Electric LLC

185 Buffalo Avenue, Freeport, New York, 11520

Telephone: 516.379.4660 Fax: 516.378.0624

www.sentrylighting.com

info@sentrylighting.com