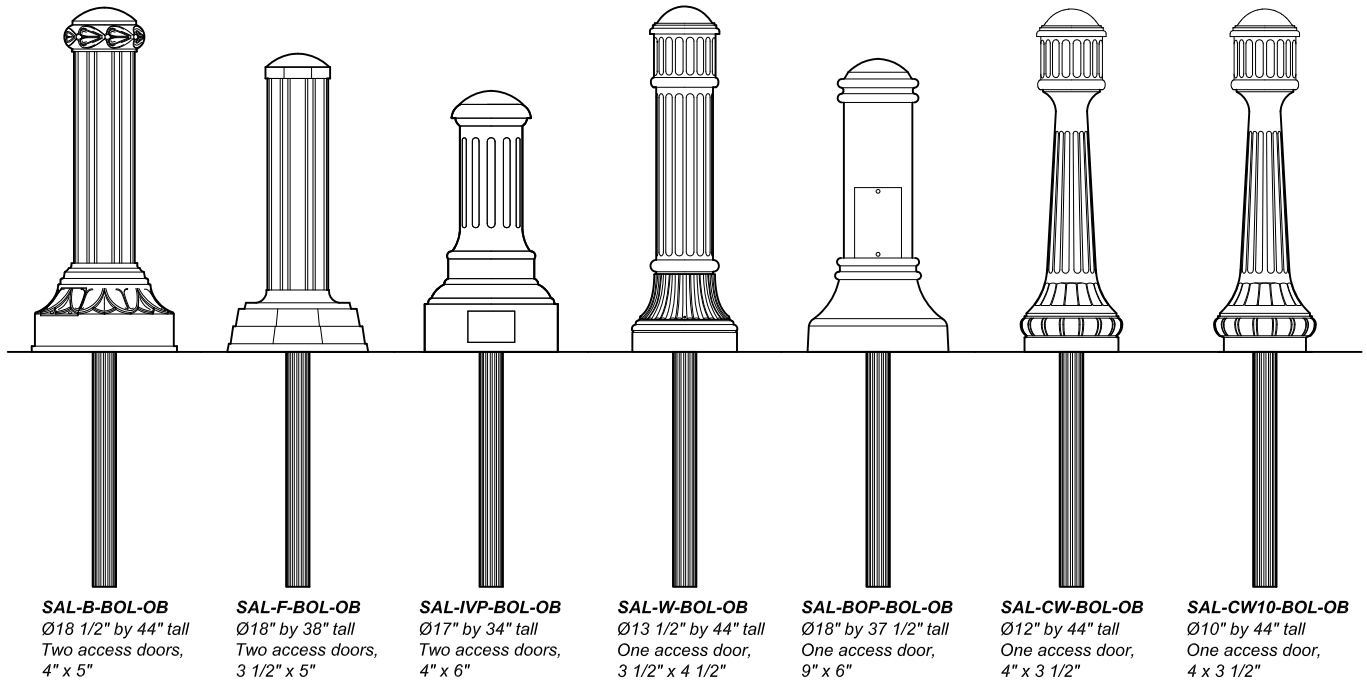


Removeable Pullout Bollard

Bollards (BOL)

Bollard Height 34" to 44"
Base Diameter 10" to 18 1/2"



SCALE: 1/2" = 1'-0"

Product Features

Construction

The bollard shall be made from cast ASTM 356.1 and extruded ASTM 6063 aluminum construction. The bollard shall be provided with a 30" long aluminum extension fully welded to the base. Access doors in the base shall be secured with stainless steel hardware.

Installation

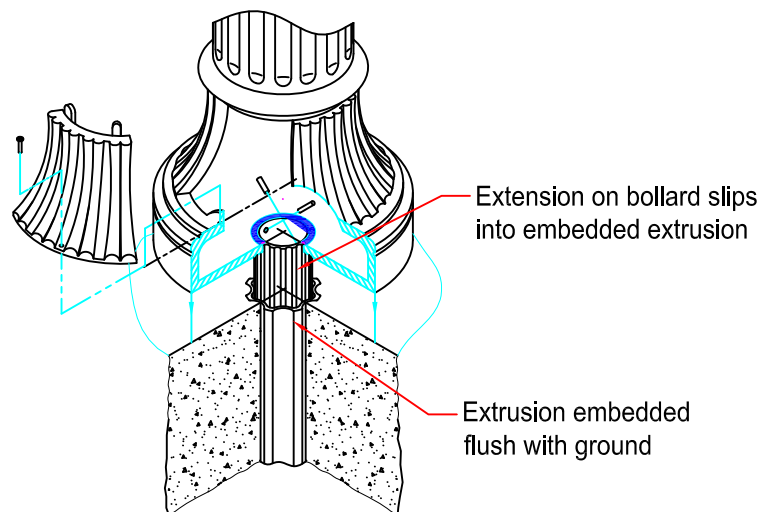
A 30" long extrusion (Type 4B) shall be embedded flush with the ground. The extension welded to the bottom of the bollard shall slip inside the embedded extension and shall be secured in place with two (2) 3/8-16 stainless steel set screws.

Finish

The bollard shall be finished with a high performance coating consisting of high gloss Super Durable polyester powder coat paint to be applied utilizing a multistage process. Paint shall be weather, corrosion, abrasion, and UV resistant in compliance with AAMA 2604-05. Color to be specified.

For Ordering Information see reverse.

Installation Details



Sentry
ELECTRIC

Removeable Pullout Bollard

Sentry Electric LLC

185 Buffalo Avenue, Freeport, New York, 11520

Telephone: 516.379.4660 Fax: 516.378.0624

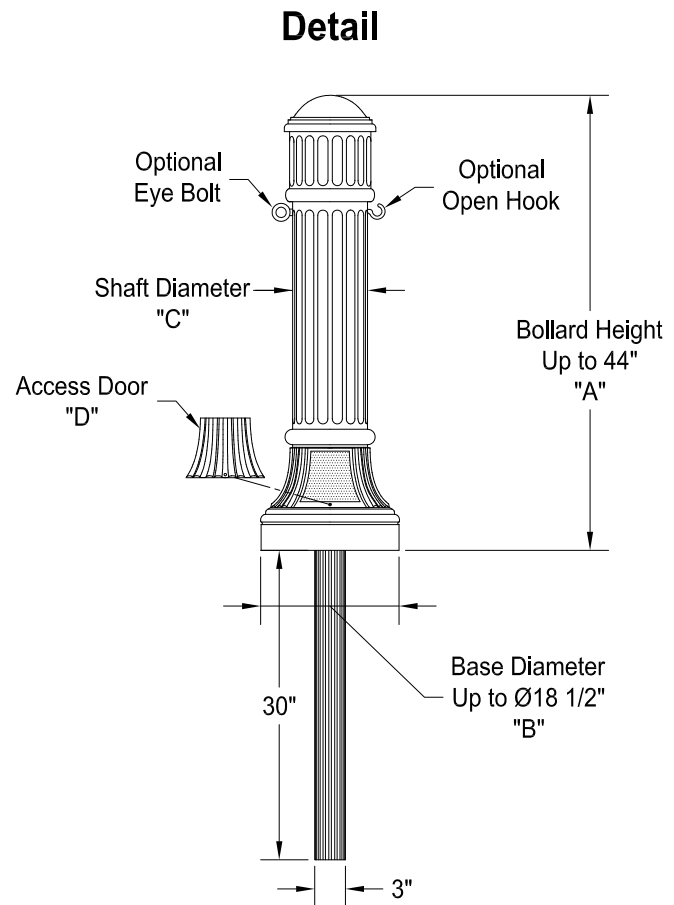
www.sentrylighting.com

info@sentrylighting.com

Removeable Pullout Bollard

Bollards (BOL)

Model	Height "A"	Base Diameter "B"	Shaft Diameter "C"	Access Door "D"
SAL-B-BOL-OB-PULLOUT	44"	Ø18 1/2"	Ø7 1/2"	(2) 4" x 5"
SAL-F-BOL-OB-PULLOUT	38"	Ø18"	Ø7 1/2"	(2) 3 1/2" x 5"
SAL-IVP-BOL-OB-PULLOUT	34"	Ø17"	Ø8"	(2) 4" x 6"
SAL-W-BOL-OB-PULLOUT	44"	Ø13 1/2"	Ø7 1/4"	(1) 3 1/2" x 4 1/2"
SAL-BOP-BOL-OB-PULLOUT	37 1/2"	Ø18"	Ø8 3/4"	(1) 9" x 6"
SAL-CW-BOL-OB-PULLOUT	44"	Ø12"	Tapers Ø13" - Ø4"	(1) 4" x 3 1/2"
SAL-CW10-BOL-OB-PULLOUT	44"	Ø10"	Tapers Ø13" - Ø4"	(1) 4" x 3 1/2"



Ordering Information

Choose the **boldface** catalog references that best suit your needs.

Example:

Model Options Finish

SAL-W-BOL-OB-PULLOUT - EB - BK

Model	Options	Finish
SAL-B-BOL-OB-PULLOUT	EB Eyebolt	BK Black (Standard)
SAL-F-BOL-OB-PULLOUT	HK Open Hook	BZ Bronze
SAL-IVP-BOL-OB-PULLOUT		FG Federal Green
SAL-W-BOL-OB-PULLOUT	see <i>Orientation Guide</i>	
SAL-BOP-BOL-OB-PULLOUT		Consult factory for custom finish.
SAL-CW-BOL-OB-PULLOUT		
SAL-CW10-BOL-OB-PULLOUT		