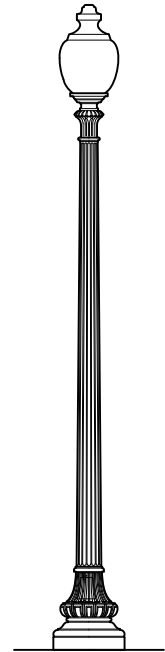
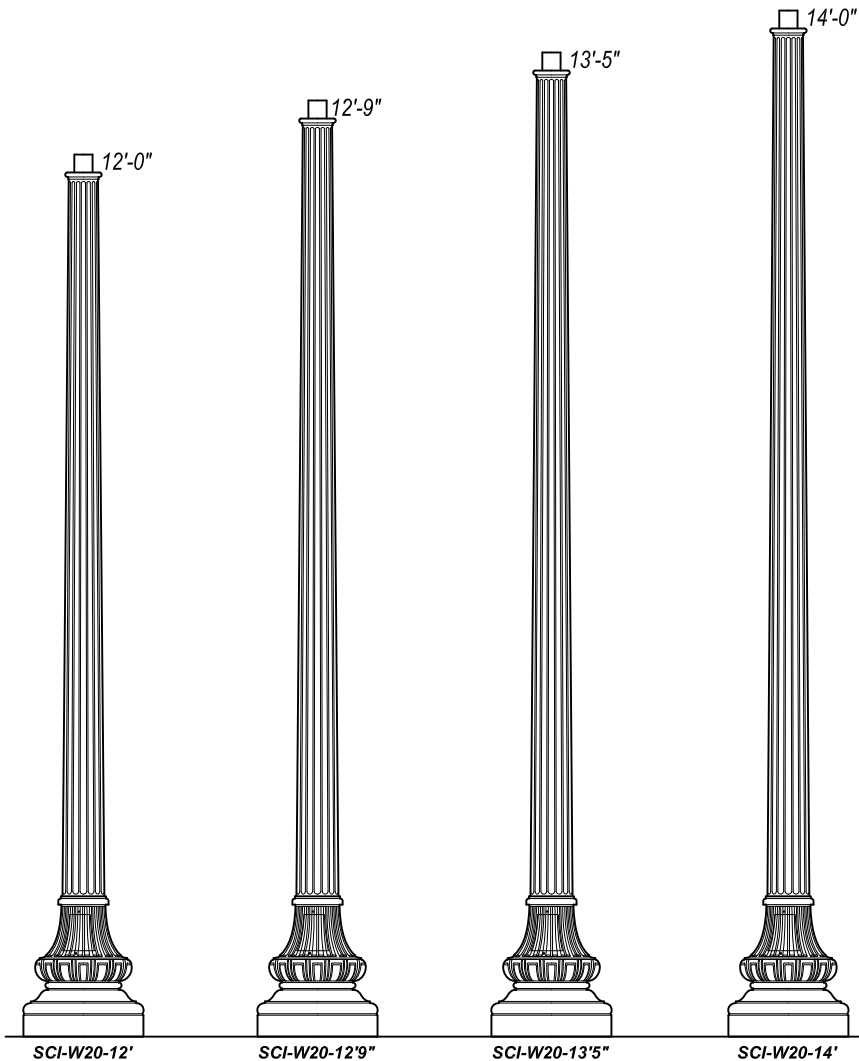


# SCI-W20 Series

Cast Iron (SCI) Poles - Cast Shaft

**Post Heights**  
 12'-0"  
 12'-9"  
 13'-5"  
 14'-0"

**Base Diameter** 20"



Above shown with  
 Luminaire: SWW  
 Pole: SCI-W20-12'

SCALE: 3/8" = 1'-0"

## Product Features

### Construction

The lighting pole shall be from thick walled ASTM A48, Class 30, cast iron.

One (1) access door in the base (4" x 5" minimum opening) shall be secured with stainless steel hardware. A 3/8"-16 UNC grounding lug provision shall be provided inside the base of the pole.

### Luminaire Mounting

A Ø3" by 3" tall tenon shall be an integral part of the pole provided for post top mounting of the luminaire.

### Installation

The lighting pole shall be provided with (4) Ø3/4" x 24" long "L-Type" anchor bolts. Each anchor bolt shall be supplied assembled with (2) nuts, (2) flat washers and (1) split lock washer. The pole shall have a Ø15" bolt circle and requires a 3" anchor bolt projection. All anchorage hardware shall be fully galvanized.

### Finish

The pole shall be finished with a high performance coating achieved with a three step paint process. An acid etching industrial wash primer, two part epoxy base primer, and a finish coat that is a two-part aliphatic acrylic polyurethane. Paint shall be weather, corrosion, abrasion, and UV resistant in compliance with the Society for Protective Coatings SSPC-36 (level 3) paint standard. Color to be specified.

**For Ordering Information see reverse.**

**Sentry**  
 ELECTRIC

## SCI-W20 Series

**Sentry Electric LLC**

185 Buffalo Avenue, Freeport, New York, 11520

Telephone: 516.379.4660 Fax: 516.378.0624

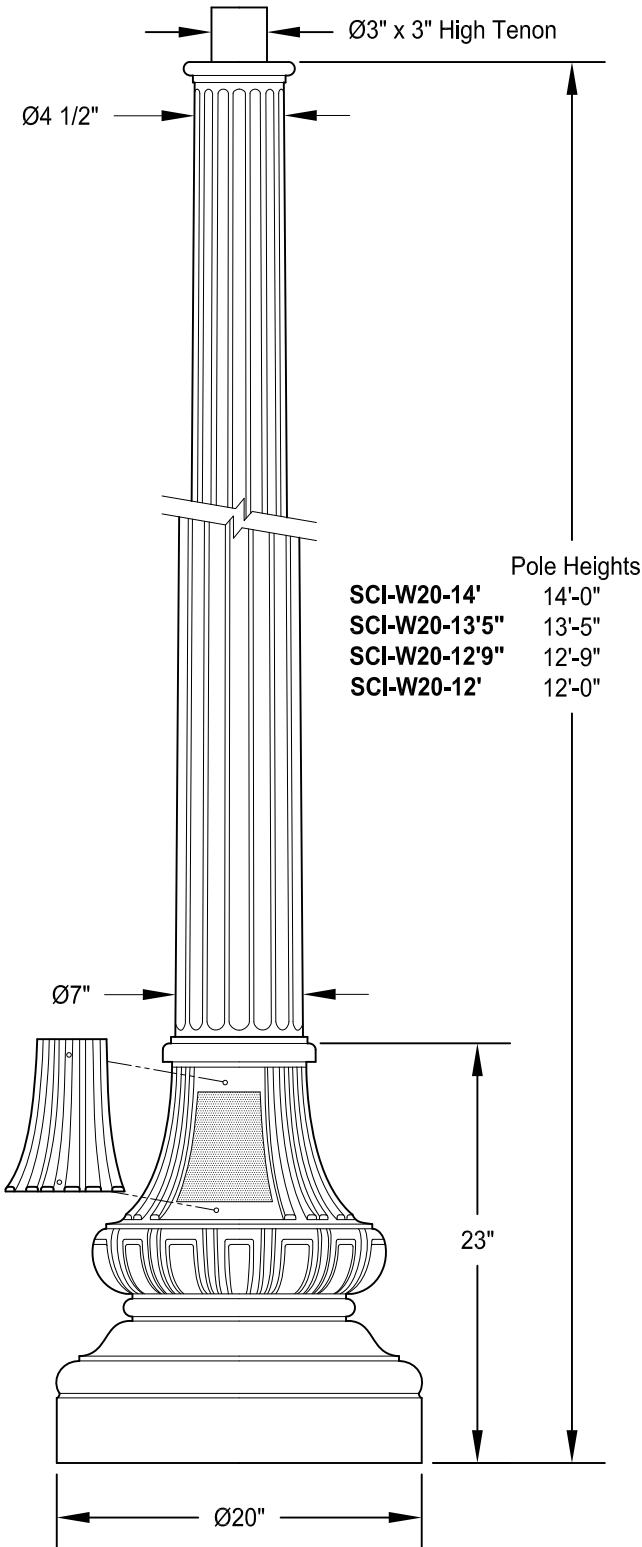
www.sentrylighting.com

info@sentrylighting.com

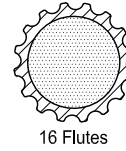
# SCI-W20 Series

Cast Iron (SCI) Poles - Cast Shaft

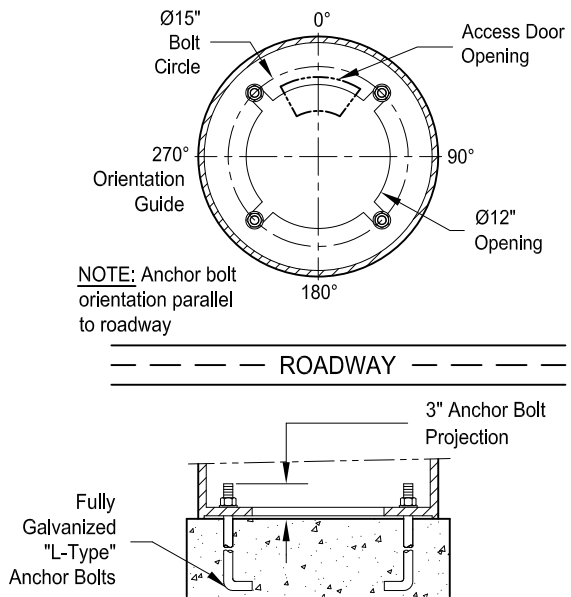
## Detail



## Shaft



## Installation Details



## Ordering Information

Choose the **boldface** catalog references that best suit your needs.

Example: **SCI-W20-13'5" - BK - GFI-IN USE**

Model	Height	Finish	Accessories
SCI-W20-12'	12'-0"	<b>BK</b> Black (Standard)	<b>***</b> GFI Enclosure
SCI-W20-12'9"	12'-9"	<b>BZ</b> Bronze	<b>***</b> Banner Arm
SCI-W20-13'5"	13'-5"	<b>FG</b> Federal Green	<b>***</b> Flag Holder
SCI-W20-14'	14'-0"	Consult factory for custom finish.	<b>***</b> Plant Hanger
			<b>WH</b> Wreath Holder
			<b>***</b> Street Signs
			<b>***</b> select catalog reference in Accessories Section