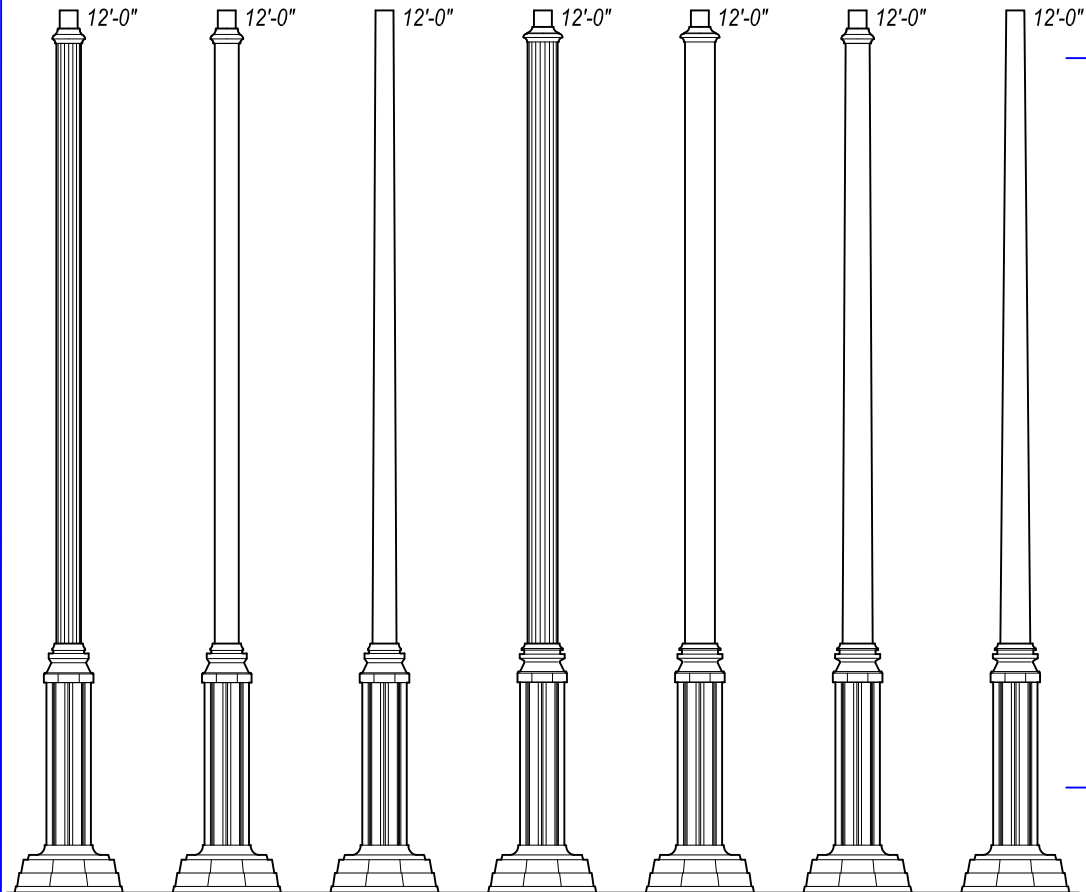
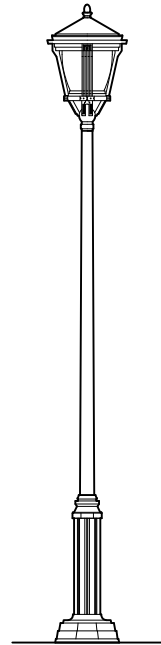


SAL-F Series

Cast Aluminum (SAL) Poles - Extruded Shafts



Post Heights Up to 14'
Octagonal Base 18"



**Above shown with
Luminaire: SIC
Pole: SAL-F-4R3-12'**

SAL-F-4H-12' 4" dia. fluted shaft Up to 14'	SAL-F-4P-12' 4" dia. plain shaft Up to 14'	SAL-F-4R3-12' 4" - 3" dia. tapered shaft Up to 14'	SAL-F-5H-12' 5" dia. fluted shaft Up to 14'	SAL-F-5P-12' 5" dia. plain shaft Up to 14'	SAL-F-5R4-12' 5" - 4" dia. tapered shaft Up to 14'	SAL-F-5R3-12' 5" - 3" dia. tapered shaft Up to 14'
--	---	--	--	---	--	--

SCALE: 3/8" = 1'-0"

Product Features

Construction

The lighting pole shall be from cast and extruded aluminum construction. Shafts and column shall be ASTM 6063 extruded aluminum. Base and mid-section shall be ASTM 356.1 cast aluminum.

Two (2) access doors in the base (4" x 5" minimum opening) shall be secured with stainless steel hardware. A 3/8"-16 UNC grounding lug shall be provided inside the base of the pole adjacent to the access door.

Luminaire Mounting

A Ø3" by 3" tall tenon shall be an integral part of the pole provided for post top mounting of the luminaire.

Installation

The lighting pole shall be provided with (4) Ø3/4" x 24" long "L-Type" anchor bolts. Each anchor bolt shall be supplied assembled with (2) nuts, (2) flat washers and (1) split lock washer. The pole shall have a Ø12" bolt circle and requires a 3" anchor bolt projection. All anchorage hardware shall be fully galvanized.

Finish

To insure product durability, the pole shall be finished with a high performance coating consisting of high gloss Super Durable polyester powder coat paint to be applied utilizing a multistage process that includes phosphate pretreatment, electrostatic powder application, and convection curing. Paint shall be weather, corrosion, abrasion, and UV resistant in compliance with the American Architectural Manufacturers Association's specification AAMA 2604-05. Color to be specified.

For Ordering Information see reverse.

Sentry
ELECTRIC

SAL-F Series

Sentry Electric LLC

185 Buffalo Avenue, Freeport, New York, 11520

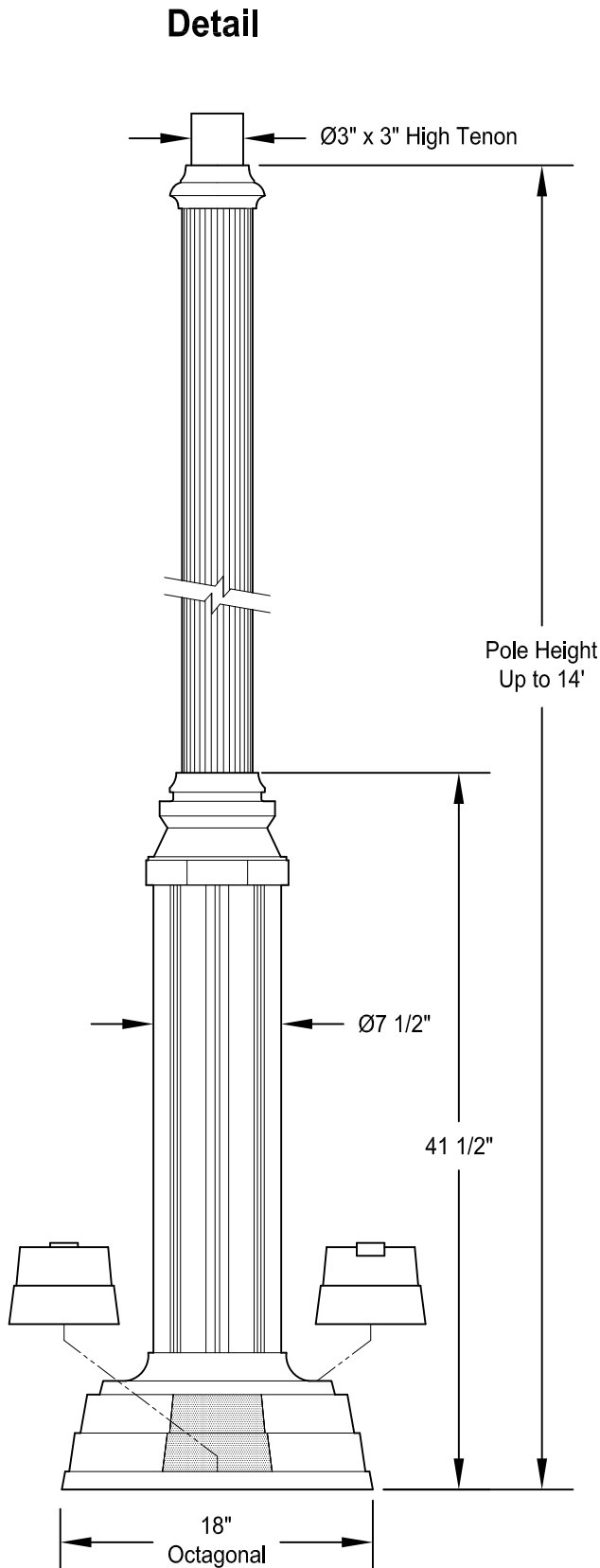
Telephone: 516.379.4660 Fax: 516.378.0624

www.sentrylighting.com

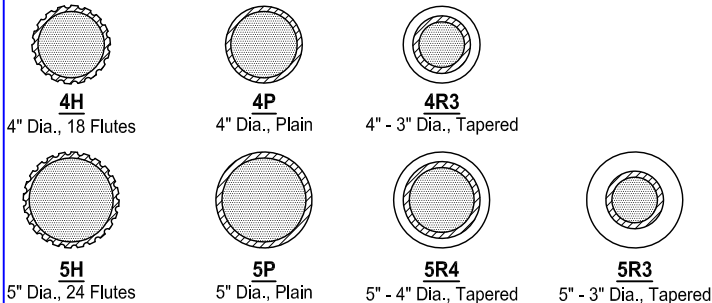
info@sentrylighting.com

SAL-F Series

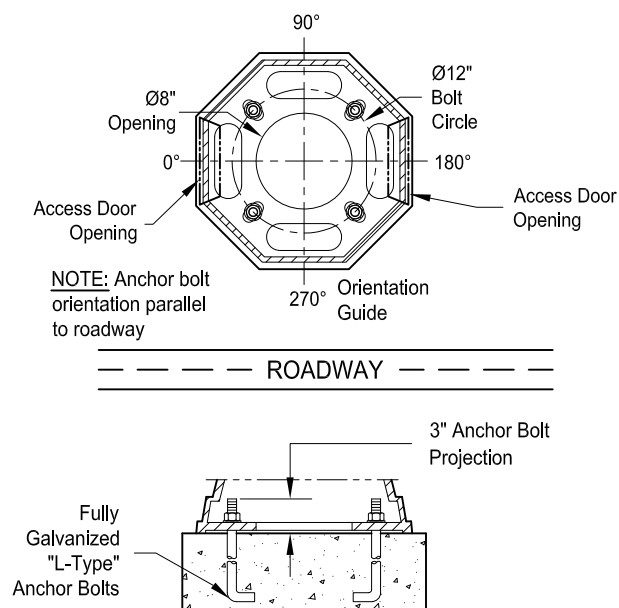
Cast Aluminum (SAL) Poles - Extruded Shafts



Shaft Options



Installation Details



Ordering Information

Choose the **boldface** catalog references that best suit your needs.

Example: **SAL-F - 5H - 14' - BK - GFI-IN USE**

Model	Shaft	Height	Finish	Accessories
SAL-F	4H	4H	BK Black (Standard) BZ Bronze FG Federal Green Consult factory for custom finish.	*** GFI Enclosure
	4P	4P		*** Banner Arm
	4R3	4R3		*** Flag Holder
	5H	5H		*** Plant Hanger
	5P	5P		WH Wreath Holder
	5R4	5R4		*** Street Signs
	5R3	5R3		*** select catalog reference in Accessories Section