

SAL-BOP-BOL-OB

Bollards (BOL) - Cast Aluminum (SAL)

Bollard Height 37 1/2"
Base Diameter 18"

Product Features

Construction

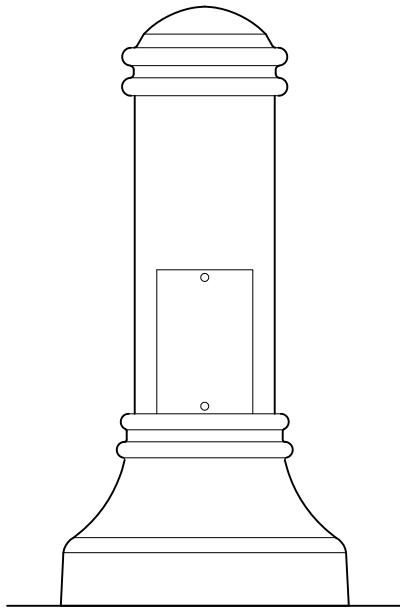
The bollard shall be made from cast ASTM 356.1 aluminum construction. One (1) access door in the base (9" x 6" minimum opening) shall be secured with stainless steel hardware.

Installation

The bollard shall be provided with (4) Ø3/4" x 24" long "L-Type" anchor bolts. Each anchor bolt shall be supplied assembled with (2) nuts, (2) flat washers and (1) split lock washer. The bollard shall have a Ø12" bolt circle and requires a 3" anchor bolt projection. All anchorage hardware shall be fully galvanized.

Finish

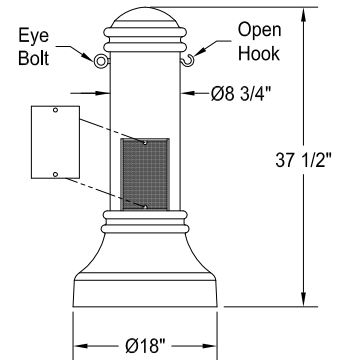
The bollard shall be finished with a high performance coating consisting of high gloss Super Durable polyester powder coat paint to be applied utilizing a multistage process. Paint shall be weather, corrosion, abrasion, and UV resistant in compliance with AAMA 2604-05. Color to be specified.



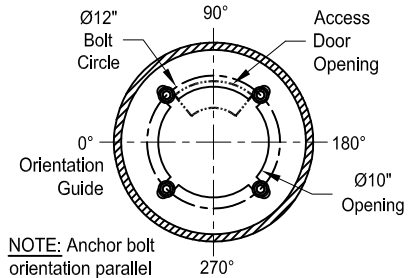
SAL-BOP-BOL-OB

SCALE: 1" = 1'-0"

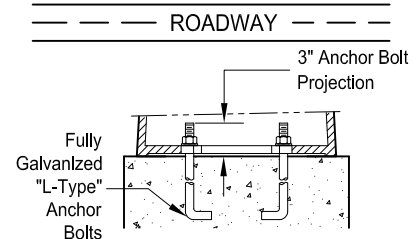
Detail



Installation Details



NOTE: Anchor bolt orientation parallel to roadway



Ordering Information

Choose the **boldface** catalog references that best suit your needs.

Example:

Model Options Finish
SAL-BOP-BOL-OB - EB - BK

Model	Accessories	Finish
SAL-BOP-BOL-OB	EB Eyebolt HK Open Hook see <i>Orientation Guide</i>	BK Black (Standard) BZ Bronze FG Federal Green Consult factory for custom finish.

Sentry
ELECTRIC

SAL-BOP-BOL-OB

Sentry Electric LLC
185 Buffalo Avenue, Freeport, New York, 11520
Telephone: 516.379.4660 Fax: 516.378.0624
www.sentrylighting.com info@sentrylighting.com